

There's a MANTA RAY model for every application...



We offer eight MANTA RAY earth anchors ranging from heavy to light duty holding capacities. The MANTA RAY earth anchors are all made of galvanized ductile iron and can be driven with the Standard Drive Steel. After installation, the desired holding capacity can be tested with the JLD Anchor Locker.

MK-B

The MK-B anchor is the largest of the MANTA RAY earth anchors and has a bearing area of 2374 cm² (368 in²).

MR-SR

The MR-SR anchor is the second largest of the MANTA RAY earth anchors and has a bearing area of 916 cm² (142 in²).

MR-1

The MR-1 anchor is the most common and third largest of the MANTA RAY earth anchors and has a bearing area of 458 cm² (71 in²).

MR-2

The MR-2 anchor is the fourth largest of the MANTA RAY anchors and has a bearing area of 265 cm² (41 in²).

MR-3

The MR-3 is slightly larger than the MR-4 anchor and has a bearing area of 219 cm² (34 in²).

MR-4

The MR-4 is the smallest of the MANTA RAY anchors and has a bearing area of 110 cm² (17 in²).

MR-88

The MR-88 is a tough light duty anchor and has a bearing area of 65 cm² (10 in²).

MR-68

The MR-68 is a light duty anchor and has a bearing area of 31 cm² (5 in²).

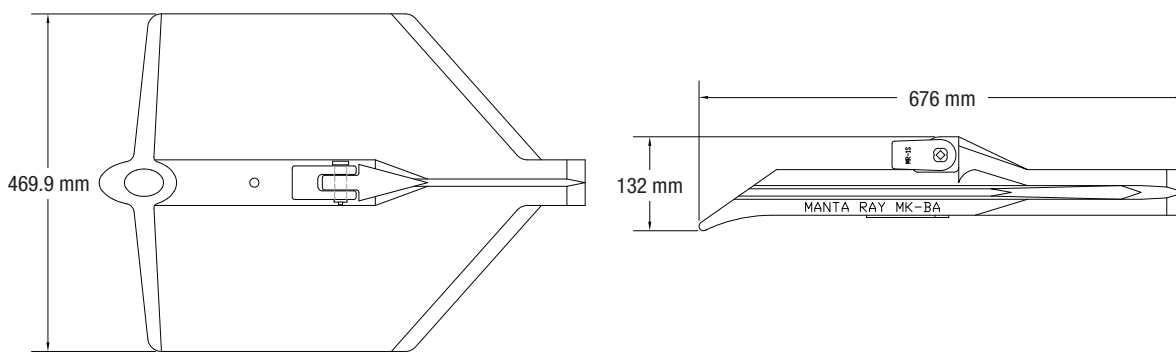


JLD International B.V.
P.O. Box 144
NL – 1135 ZK Edam
The Netherlands

Tel: +31 (0) 299 622 396
Fax: +31 (0) 299 622 397
E-mail: Info@Earthanchor.eu
Website: www.Earthanchor.eu

We offer eight MANTA RAY earth anchors ranging from heavy to light duty holding capacities. The MANTA RAY earth anchors are all made of galvanized ductile iron and can be driven with the Standard Drive Steel. After installation, the desired holding capacity can be tested with the JLD Anchor Locker.

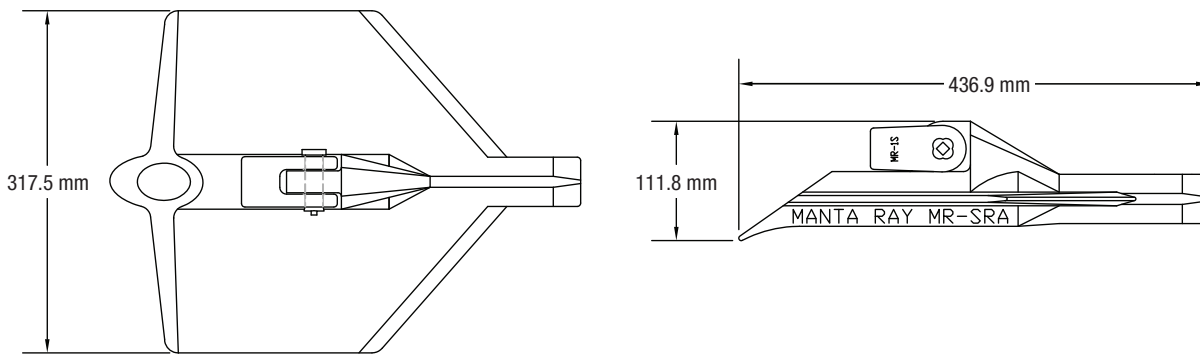
The MK-B anchor is the largest of the MANTA RAY earth anchors and has a bearing area of 2374 cm² (368 in²).



Ultimate Strength	178 kN	(40000 lbs)
Width	469.9 mm	(18.5 inches)
Height	132 mm	(5.2 inches)
Length	676 mm	(26.6 inches)
Weight	29.8 kg	(65.6 lbs)
Bearing Area	2374 cm ²	(368 in ²)
Anchor Material	Ductile Iron	
Finish Specification	Hot Dipped Galvanized ASTM A-123 or BS729	
Anchor Rods	∅ 15 to 25 mm	(∅ 5/8 to 1 inch)

We offer eight MANTA RAY earth anchors ranging from heavy to light duty holding capacities. The MANTA RAY earth anchors are all made of galvanized ductile iron and can be driven with the Standard Drive Steel. After installation, the desired holding capacity can be tested with the JLD Anchor Locker.

The MR-SR anchor is the second largest of the MANTA RAY earth anchors and has a bearing area of 916 cm² (142 in²).



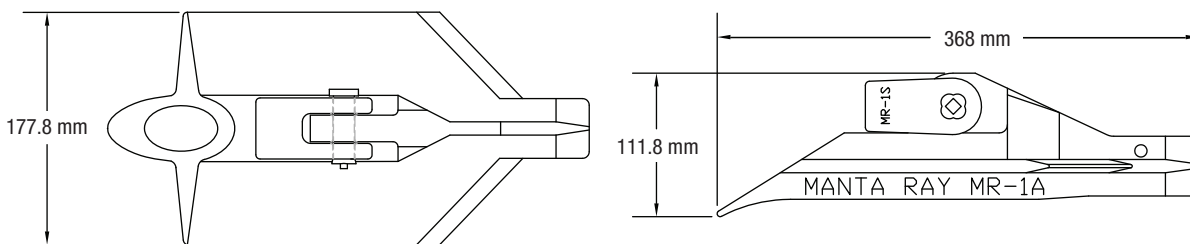
Ultimate Strength	178 kN	(40000 lbs)
Width	317.5 mm	(12.5 inches)
Height	111.8 mm	(4.4 inches)
Length	436.9 mm	(17.2 inches)
Weight	9.1 kg	(20.1 lbs)
Bearing Area	916 cm ²	(142 in ²)
Anchor Material	Ductile Iron	
Finish Specification	Hot Dipped Galvanized ASTM A-123 or BS729	
Anchor Rods	∅ 15 to 25 mm	(∅ 5/8 to 1 inch)

MR-1



We offer eight MANTA RAY earth anchors ranging from heavy to light duty holding capacities. The MANTA RAY earth anchors are all made of galvanized ductile iron and can be driven with the Standard Drive Steel. After installation, the desired holding capacity can be tested with the JLD Anchor Locker.

The MR-1 anchor is the most common and third largest of the MANTA RAY earth anchors and has a bearing area of 458 cm² (71 in²).



Ultimate Strength	178 kN	(40000 lbs)
Width	177.8 mm	(7.0 inches)
Height	111.8 mm	(4.4 inches)
Length	368 mm	(14.5 inches)
Weight	5.8 kg	(12.8 lbs)
Bearing Area	458 cm ²	(71 in ²)
Anchor Material	Ductile Iron	
Finish Specification	Hot Dipped Galvanized ASTM A-123 or BS729	
Anchor Rods	∅ 15 to 25 mm	(∅ 5/8 to 1 inch)



JLD International B.V.
P.O. Box 144
NL – 1135 ZK Edam
The Netherlands

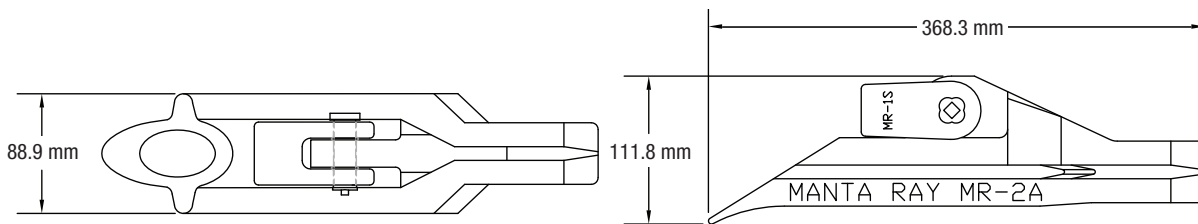
Tel: +31 (0) 299 622 396
Fax: +31 (0) 299 622 397
E-mail: Info@Earthanchor.eu
Website: www.Earthanchor.eu

MR-2



We offer eight MANTA RAY earth anchors ranging from heavy to light duty holding capacities. The MANTA RAY earth anchors are all made of galvanized ductile iron and can be driven with the Standard Drive Steel. After installation, the desired holding capacity can be tested with the JLD Anchor Locker.

The MR-2 anchor is the fourth largest of the MANTA RAY anchors and has a bearing area of 265 cm² (41 in²).



Ultimate Strength	178 kN	(40000 lbs)
Width	88.9 mm	(3.5 inches)
Height	111.8 mm	(4.4 inches)
Length	368.3 mm	(14.5 inches)
Weight	4.4 kg	(9.8 lbs)
Bearing Area	265 cm ²	(41 in ²)
Anchor Material	Ductile Iron	
Finish Specification	Hot Dipped Galvanized ASTM A-123 or BS729	
Anchor Rods	∅ 15 to 25 mm	(∅ 5/8 to 1 inch)



JLD International B.V.
P.O. Box 144
NL – 1135 ZK Edam
The Netherlands

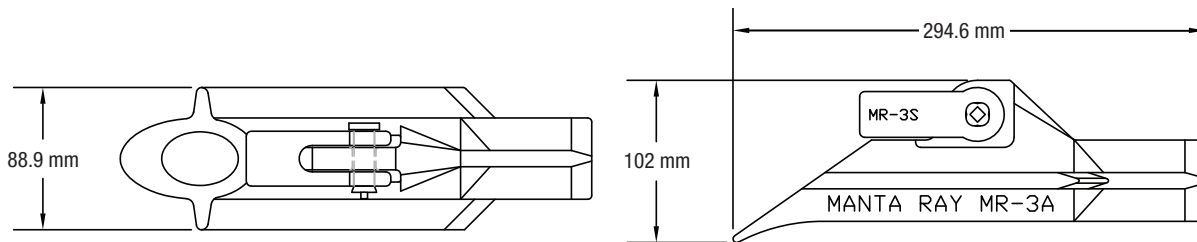
Tel: +31 (0) 299 622 396
Fax: +31 (0) 299 622 397
E-mail: Info@Earthanchor.eu
Website: www.Earthanchor.eu

MR-3



We offer eight MANTA RAY earth anchors ranging from heavy to light duty holding capacities. The MANTA RAY earth anchors are all made of galvanized ductile iron and can be driven with the Standard Drive Steel. After installation, the desired holding capacity can be tested with the JLD Anchor Locker.

The MR-3 is slightly larger than the MR-4 anchor and has a bearing area of 219 cm² (34 in²).



Ultimate Strength	89 kN	(20000 lbs)
Width	88.9 mm	(3.5 inches)
Height	102 mm	(4.0 inches)
Length	294.6 mm	(11.6 inches)
Weight	3.1 kg	(6.8 lbs)
Bearing Area	219 cm ²	(34 in ²)
Anchor Material	Ductile Iron	
Finish Specification	Hot Dipped Galvanized ASTM A-123 or BS729	
Anchor Rods	Ø 12 to 20 mm	(Ø 1/2 to 4/5 inch)



JLD International B.V.
P.O. Box 144
NL – 1135 ZK Edam
The Netherlands

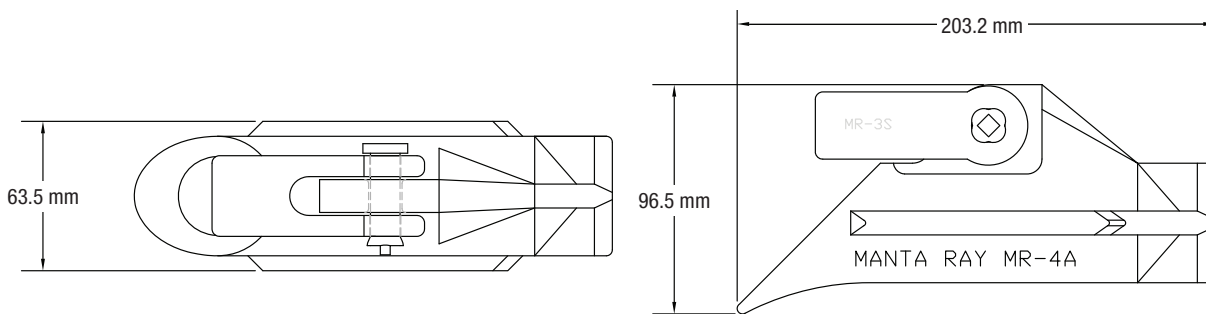
Tel: +31 (0) 299 622 396
Fax: +31 (0) 299 622 397
E-mail: Info@Earthanchor.eu
Website: www.Earthanchor.eu

MR-4



We offer eight MANTA RAY earth anchors ranging from heavy to light duty holding capacities. The MANTA RAY earth anchors are all made of galvanized ductile iron and can be driven with the Standard Drive Steel. After installation, the desired holding capacity can be tested with the JLD Anchor Locker.

The MR-4 is the smallest of the MANTA RAY anchors and has a bearing area of 110 cm² (17 in²).



Ultimate Strength	80 kN	(18000 lbs)
Width	63.5 mm	(2.5 inches)
Height	96.5 mm	(3.8 inches)
Length	203.2 mm	(8.0 inches)
Weight	2.2 kg	(4.9 lbs)
Bearing Area	110 cm ²	(17 in ²)
Anchor Material	Ductile Iron	
Finish Specification	Hot Dipped Galvanized ASTM A-123 or BS729	
Anchor Rods	Ø 12 to 20 mm	(Ø 1/2 to 4/5 inch)



JLD International B.V.
P.O. Box 144
NL – 1135 ZK Edam
The Netherlands

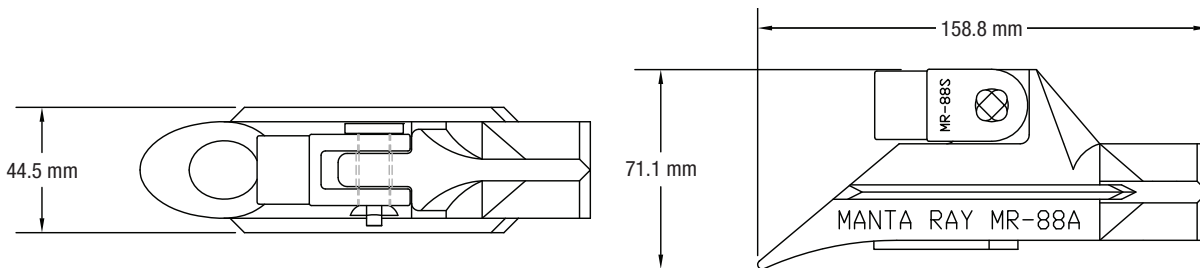
Tel: +31 (0) 299 622 396
Fax: +31 (0) 299 622 397
E-mail: Info@Earthanchor.eu
Website: www.Earthanchor.eu

MR-88



We offer eight MANTA RAY earth anchors ranging from heavy to light duty holding capacities. The MANTA RAY earth anchors are all made of galvanized ductile iron. After installation, the desired holding capacity can be tested with the JLD Anchor Locker.

The MR-88 is a tough light duty anchor and has a bearing area of 65 cm² (10 in²).



Ultimate Strength	45 kN	(10000 lbs)
Width	44.5 mm	(1.75 inches)
Height	71.1 mm	(2.8 inches)
Length	158.8 mm	(6.25 inches)
Weight	1.0 kg	(2.1 lbs)
Bearing Area	65 cm ²	(10 in ²)
Anchor Material	Ductile Iron	
Finish Specification	Hot Dipped Galvanized ASTM A-123 or BS729	
Anchor Rods	∅ 12 mm	(∅ 1/2 inch)



JLD International B.V.
P.O. Box 144
NL – 1135 ZK Edam
The Netherlands

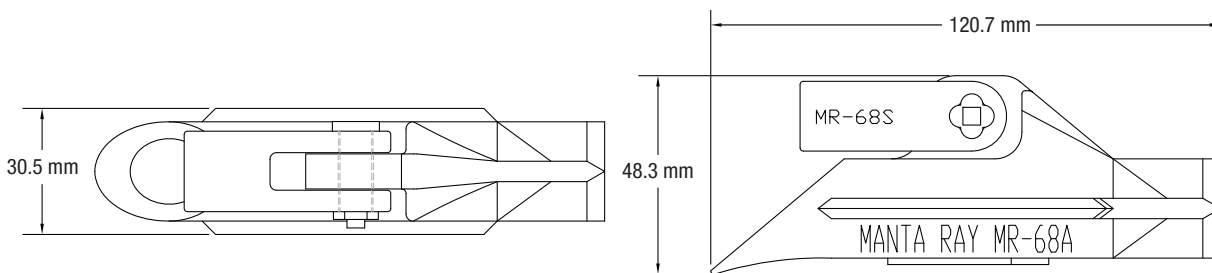
Tel: +31 (0) 299 622 396
Fax: +31 (0) 299 622 397
E-mail: Info@Earthanchor.eu
Website: www.Earthanchor.eu

MR-68



We offer eight MANTA RAY earth anchors ranging from heavy to light duty holding capacities. The MANTA RAY earth anchors are all made of galvanized ductile iron. After installation, the desired holding capacity can be tested with the JLD Anchor Locker.

The MR-68 is a light duty anchor and has a bearing area of 31 cm² (5 in²).



Ultimate Strength	22 kN	(5000 lbs)
Width	30.5 mm	(1.2 inches)
Height	48.3 mm	(1.9 inches)
Length	120.7 mm	(4.75 inches)
Weight	0.4 kg	(0.8 lbs)
Bearing Area	31 cm ²	(5 in ²)
Anchor Material	Ductile Iron	
Finish Specification	Hot Dipped Galvanized ASTM A-123 or BS729	
Anchor Rods	∅ 10 mm	(∅ 3/8 inch)



JLD International B.V.
P.O. Box 144
NL – 1135 ZK Edam
The Netherlands

Tel: +31 (0) 299 622 396
Fax: +31 (0) 299 622 397
E-mail: Info@Earthanchor.eu
Website: www.Earthanchor.eu